

A

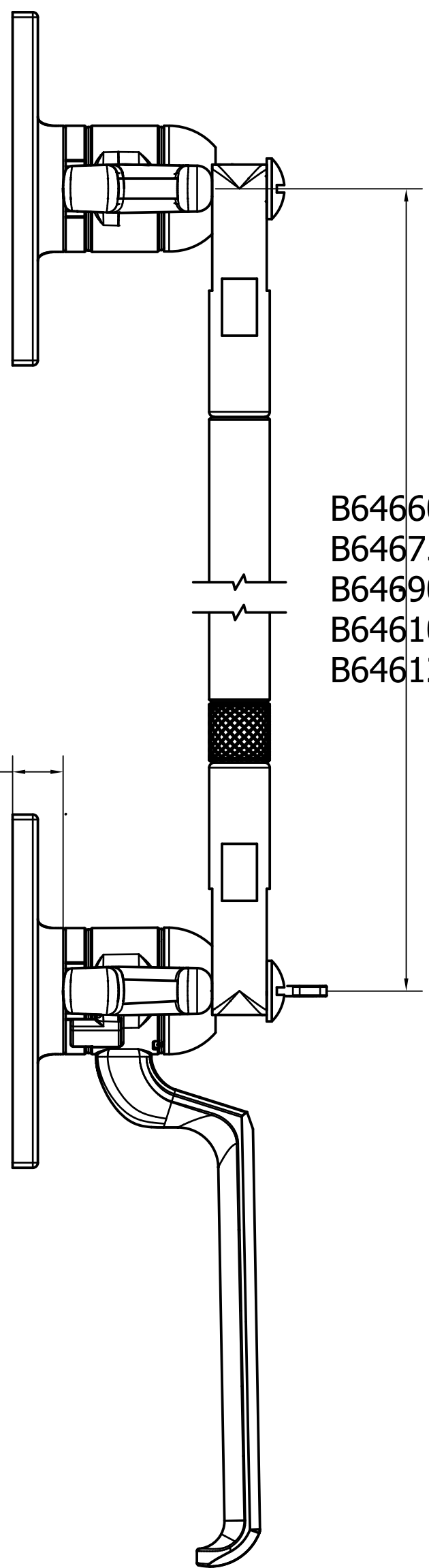
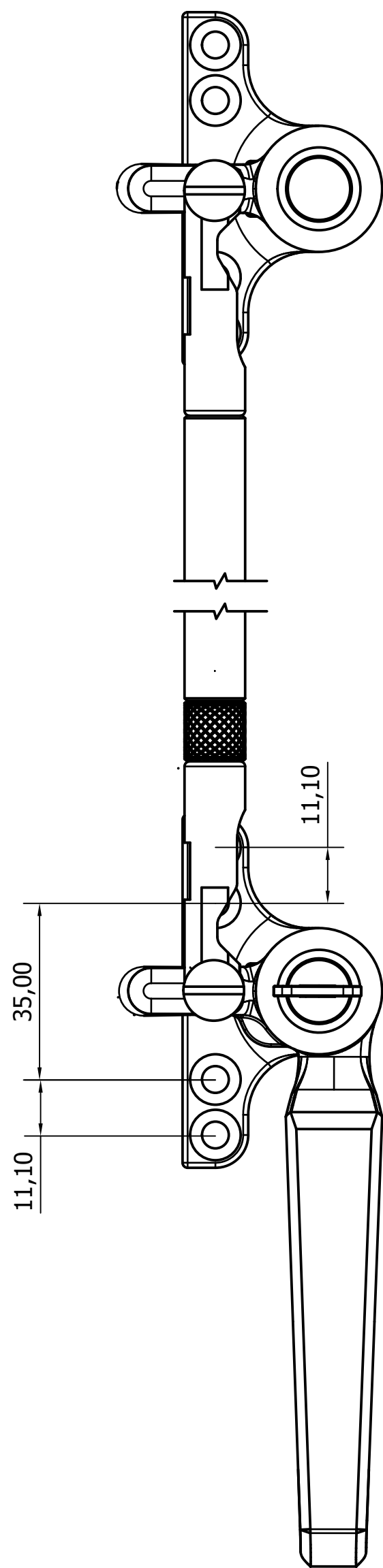
B

C

D

6
5
4
3
2
1

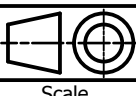
6
5
4
3
2
1



B646600
 B646750
 B646900
 B6461050
 B6461200

AVAILABLE KEY/NON KEY LOCKING



Issue	Date	Material	Finish	 Scale
Designed By	08/08/2014	Part No.		
Checked By	terry	Description		Sheet
B195 RH OPEN IN DUPLEX LAYOUT				1 / 1

A

B

C

D